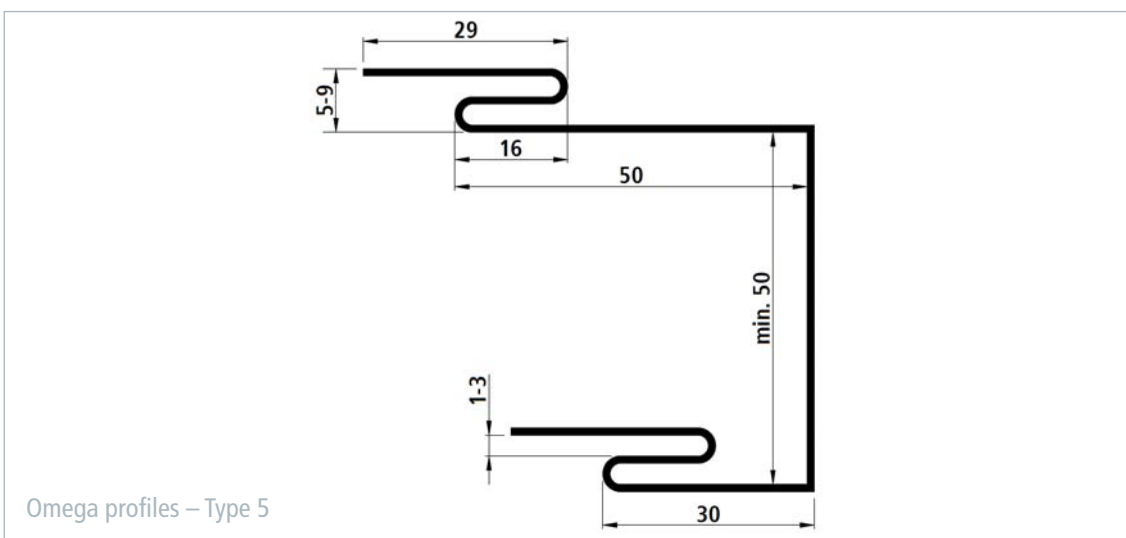
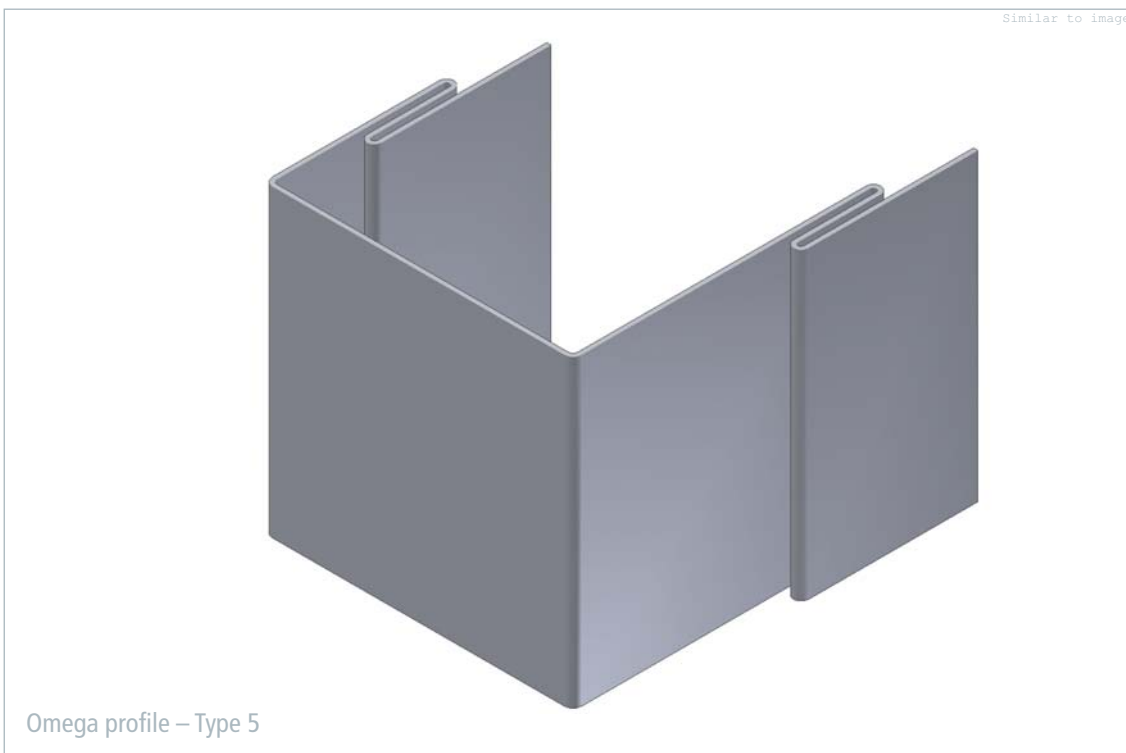


Omega profile – Type 5



Omega profile – Type 5			
Technical data	Steel	Stainless steel	Aluminum
Fire classification	C	C	C
Thickness	0.7 – 1.0 mm	0.8 mm	1.0 – 1.2 mm
Element height	max. 2500 mm	max. 2500 mm	max. 2500 mm
Mass per area (L = 2500 mm)	3.1 – 4.4 kg/m ²	3.6 kg/m ²	1.5 – 1.8 kg/m ²
Coating	PVC foil varnish coated (other on request)	PVC foil varnish coated (other on request)	PVC foil varnish coated (other on request)



Others

